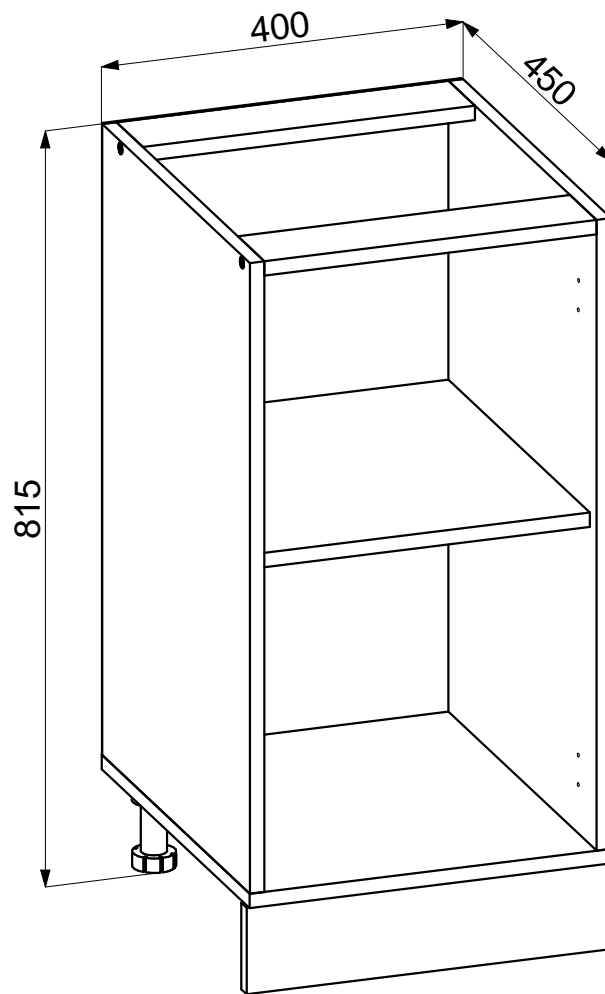




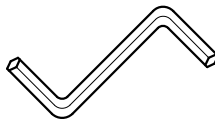


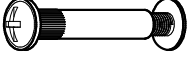
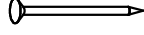
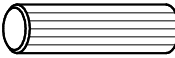
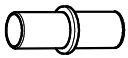
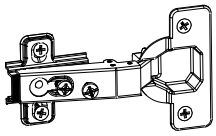
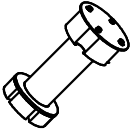

# Mirela

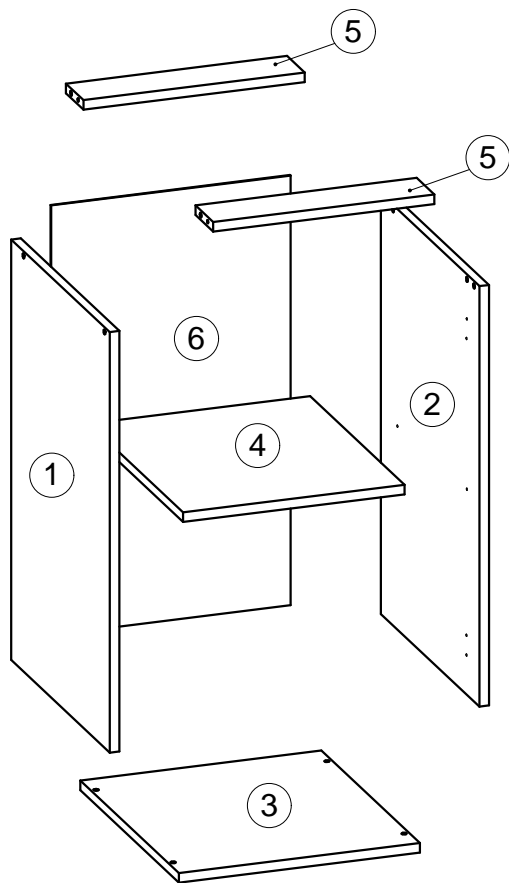
## DNº4 400x715





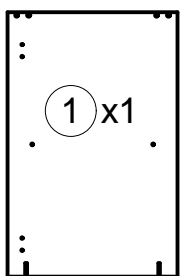


 Ø6,3x50 mm <b>A1 x 8</b>	 Ø12 mm <b>A2 x 8</b>	 4 mm <b>A3 x 1</b>	 Ø3x16 mm <b>D1 x 20</b>	 Ø4x30 mm <b>D2 x 4</b>
 Ø8x30 mm <b>E x 2</b>	 Ø1,6x25 mm <b>F x 22</b>	 Ø8x36 mm <b>G x 4</b>	 Ø5x16 mm <b>L x 4</b>	 <b>M x 2</b>
 <b>N x 4</b>	 <b>Y x 2</b>			

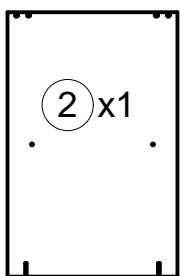


### Box

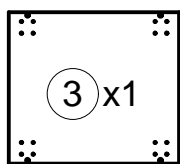
450x699x16 mm



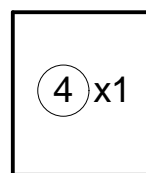
450x699x16 mm



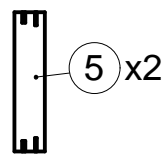
400x450x16 mm



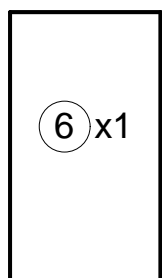
368x430x16 mm



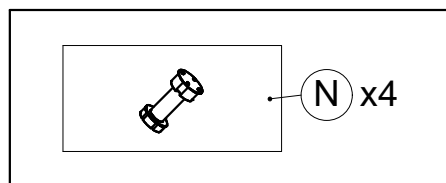
368x80x16 mm



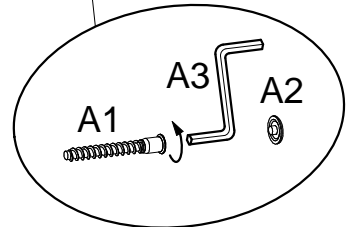
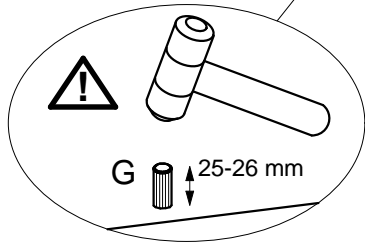
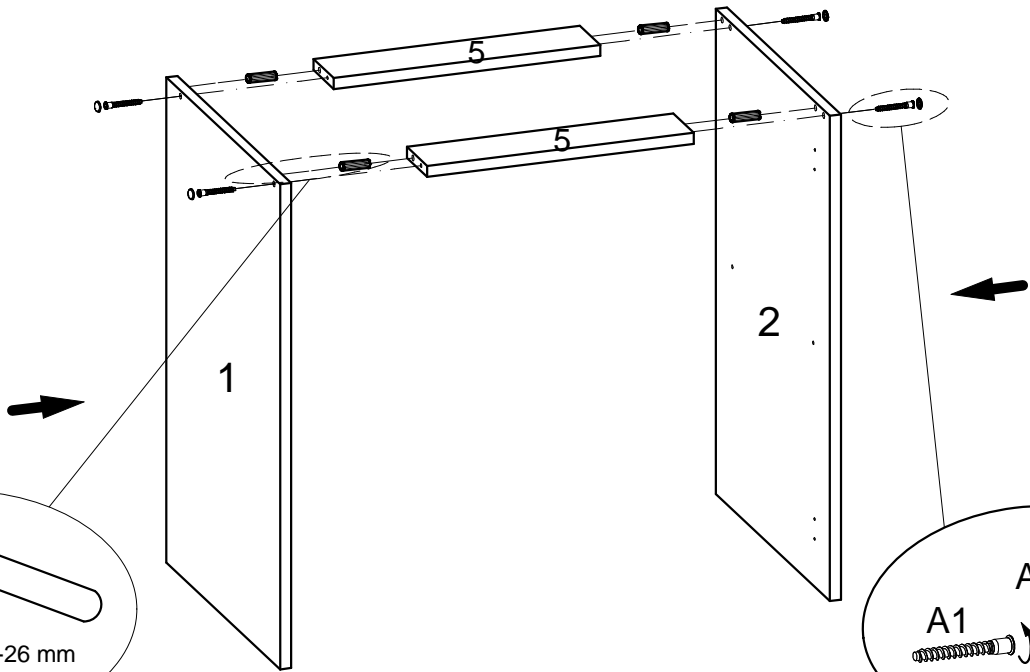
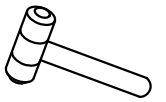
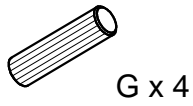
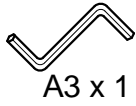
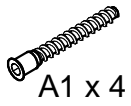
714x398x3 mm



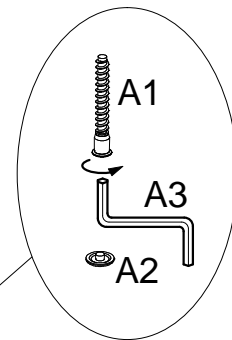
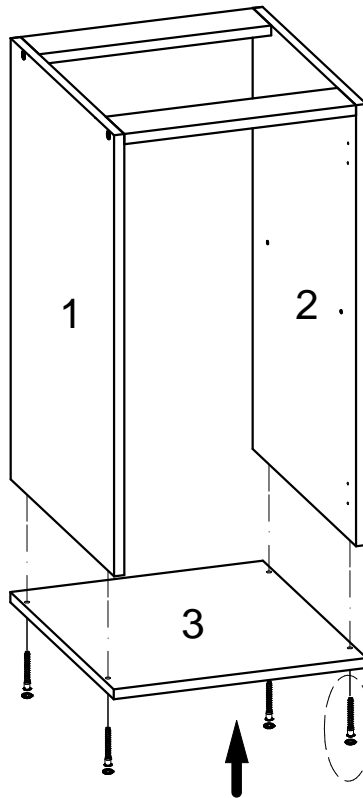
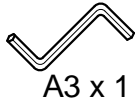
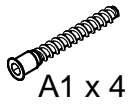
### Fittings & Tools



1



2

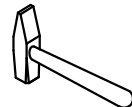
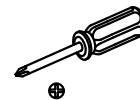


3

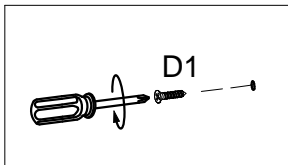
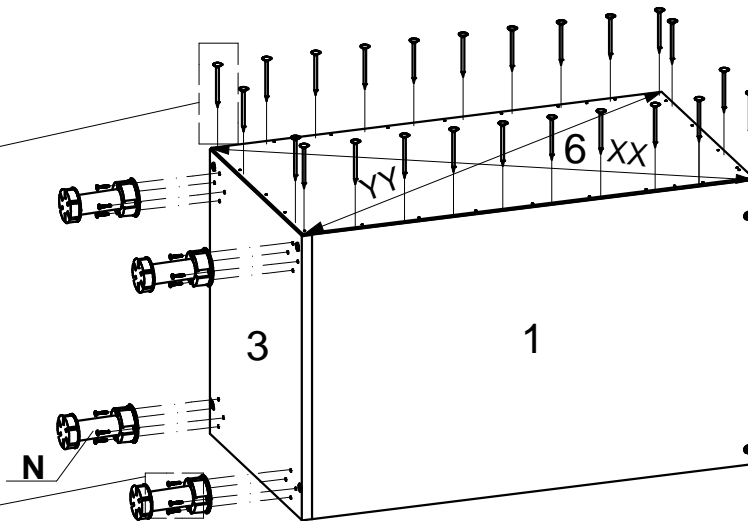
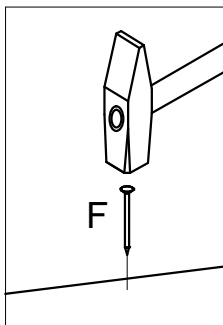
D1 x 16

F x 22

N x 4



⚠ XX=YY≅90°

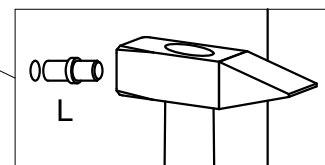
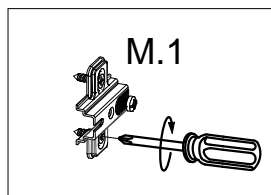
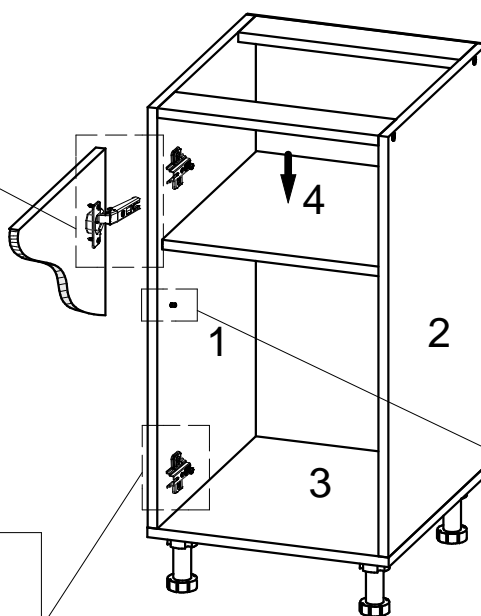
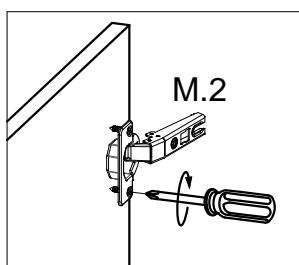
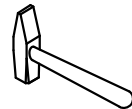
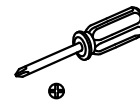


4

L x 4

M.1 x 2

M.2 x 2



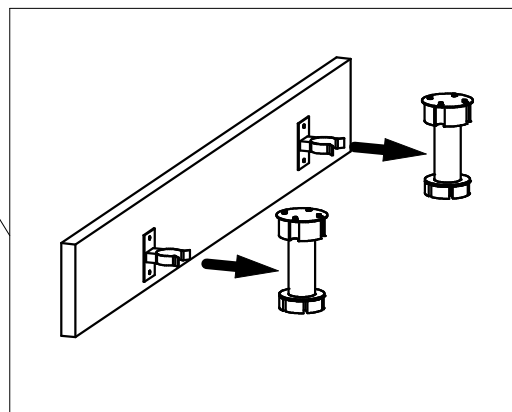
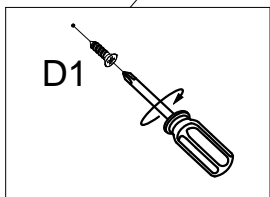
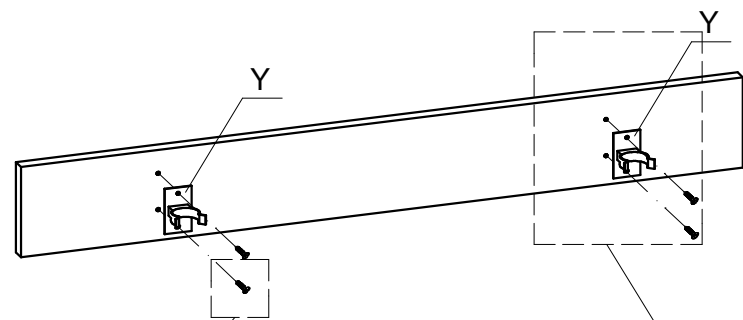
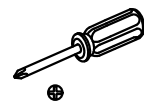
5



D1 x 4



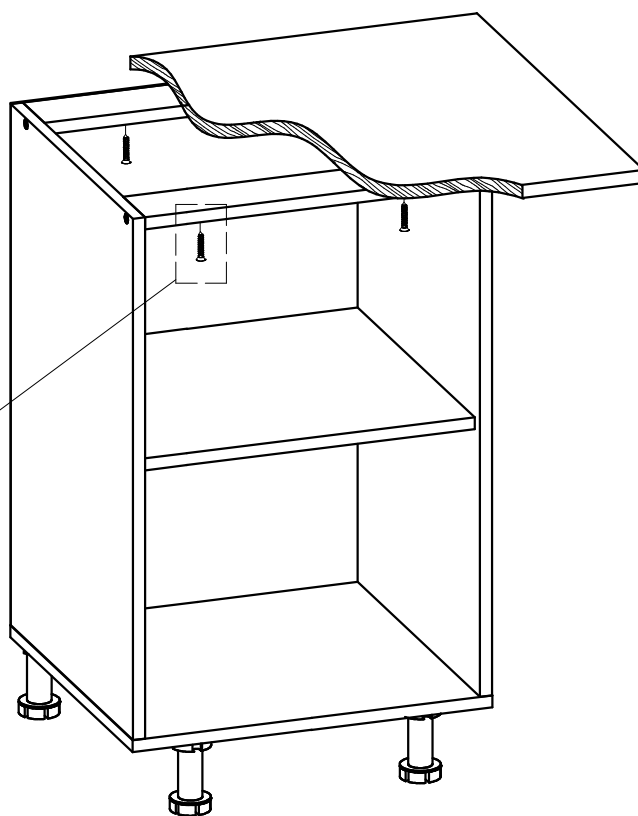
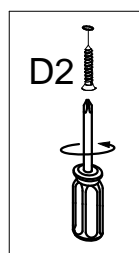
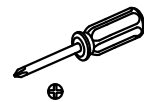
Y x 2



i

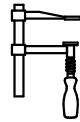


D2 x 4

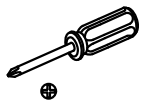




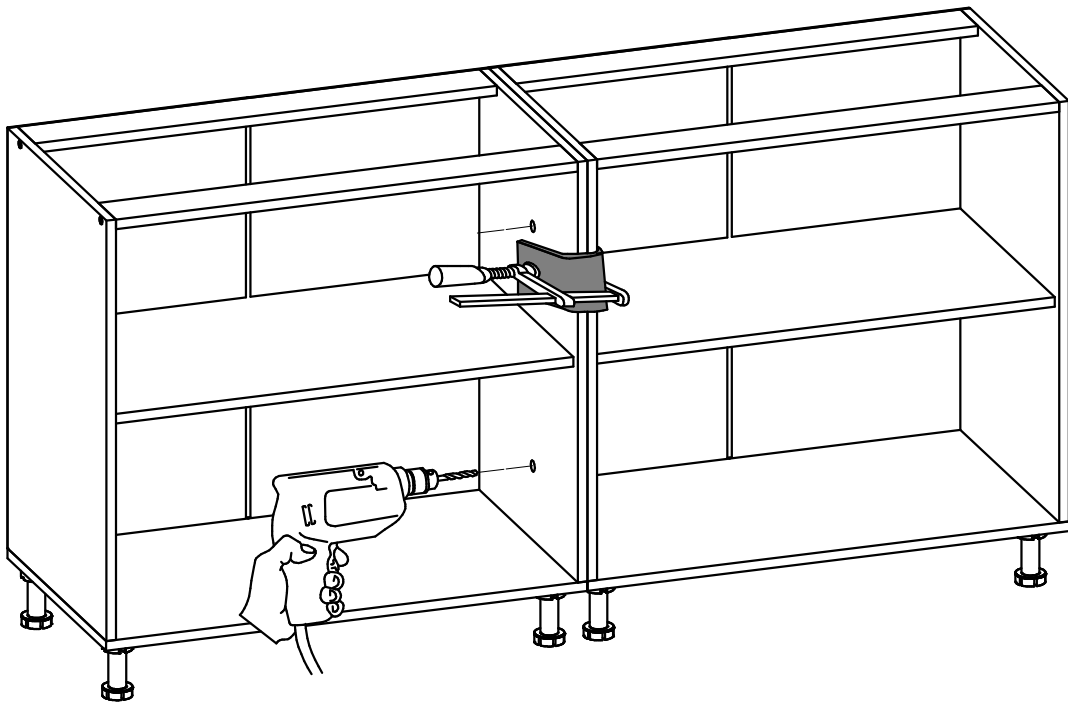
Ex 2



Ø8



1



2

